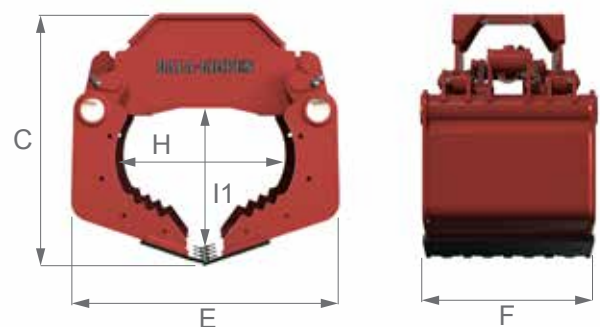
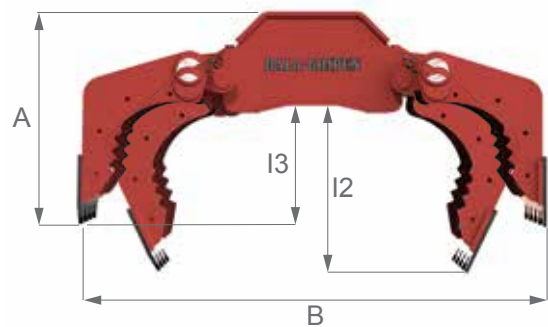


Multi grapple is suited for different waste sorting and pipe/round wood loading or moving.
With multi grapple your work is more flexible without changing machinery – grab, load and even dig if you need so.

- Mainly used as sorting grapple . With specially designed knives (from Hardox 450) where one side is smooth and the other with tags, you can perform max preventing ground damages, turning knives around digging function is available.
- Special designed claws (with tags) catches hold to the material and decreases sliding options.
- With accessories (adjusting sides) grapple becomes as bucket and it is possible to load bulk – excellent for sand, gravel, pebbel etc.
- Grapples has additional fastner points where to attach any, specially adjusted coupling. Adapters should be fastened with screws – you can change and use it on differen excavators and forest machinery. Can be attached with standard forest machinery rotator and work like free hanging grapple.
- 2 reaction bars that contributes to stable and symmetrical performance of grapple as well as spread the load on cylinder that in long run decreases the wear of grapple.
- Short cylinder working track provides fast movement of the grapple – opening/closing.

MODEL		DG112	DG116	DG120	DG125	DG128	
A	HEIGHT WHEN OPEN	mm	430	455	525	590	710
B	MAX OPENING	mm	845	1000	1220	1380	1550
C	HEIGHT WHEN CLOSED	mm	465	545	640	730	865
E	LENGTH WHEN CLOSED	mm	560	560	668	745	835
F	MAX WIDTH	mm	320	320	443	525	580
H	GRIPPING AREA WIDTH	mm	370	380	450	525	580
I1	GRIPPING AREA HEIGHT	mm	250	330	370	435	530
I2	INSIDE HEIGHT OPENED 1 M	mm	-	250	365	450	565
I3	INSIDE HEIGHT MAX OPENED	mm	225	250	273	320	390
EXCAVATOR WEIGHT		ton	0,5 - 4,0	0,5-4,0	2,0-6,0	5,0-10,0	8,0-14,0
CAPACITY WHEN CLOSED		l	25	40	80	110	175
GRAPPLE WEIGHT		kg	65	75	127	190	300
MAX LOAD		kg	1500	1500	3000	3000	3500
MAX WORKING PRESSURE		Bar	200	200	250	250	250
CYLINDER FORCE		kN	49	49	78	125	125
GRIPPING FORCE ARMS TIP		kN	7	6.1	9.6	15.4	14.5
ROTATOR CONNECTION *			D	D	D	D	H270
ORDER CODE			DG112	DG116	DG120	DG125	DG128



* Please, see the rotator connection page for detailed information.

