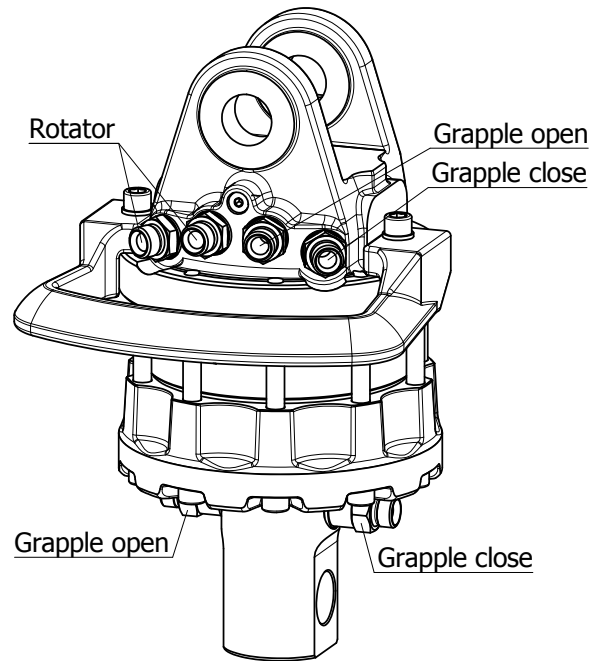
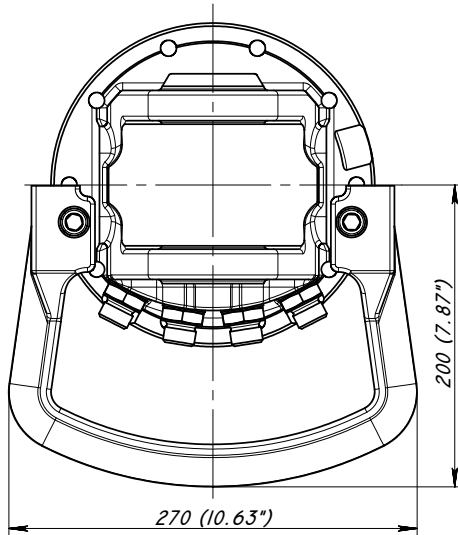
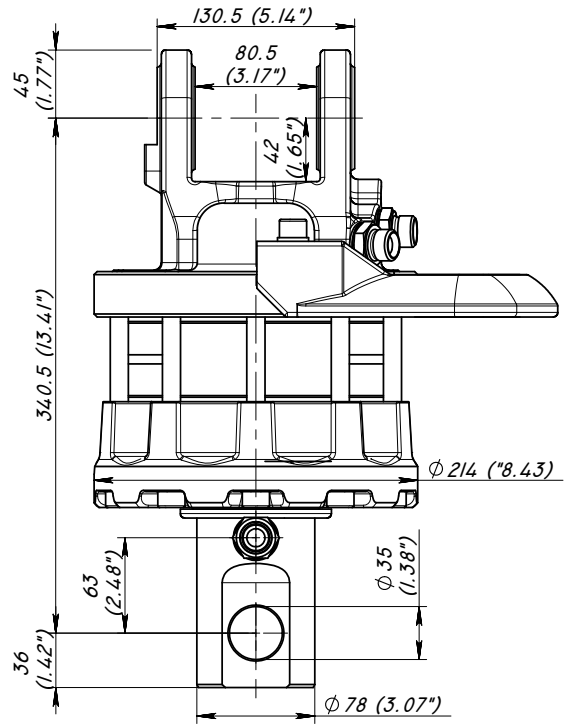
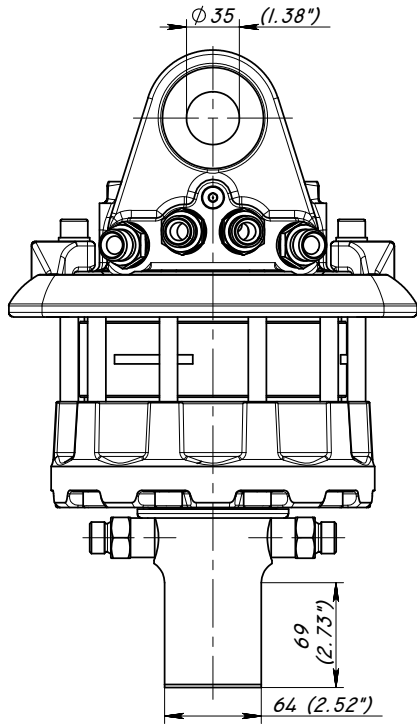


ROTATOR GR 110-1



Technical data

Rotation	Unlimited
Max axial load static, KN (lbf)	100 (22485)
Max axial load dynamic, KN (lbf)	50 (11242)
Torque at 25Mpa (3625psi), Nm (lb ft)	2400 (1770)
Rec oilflow, l/min (US gallon)	30 (7.9)
Weight, kg (lb)	50 (111)

Max working pressure:

Rotator	↔R↔	Max 25 MPa (3625 psi)	G 1/2"
Grapple / Tool open	↔G↔	Max 30 MPa (4350 psi)	G 1/2"
Grapple / Tool close	→G←	Max 30 MPa (4350 psi)	G 1/2"

Connection:

2005.05.25.



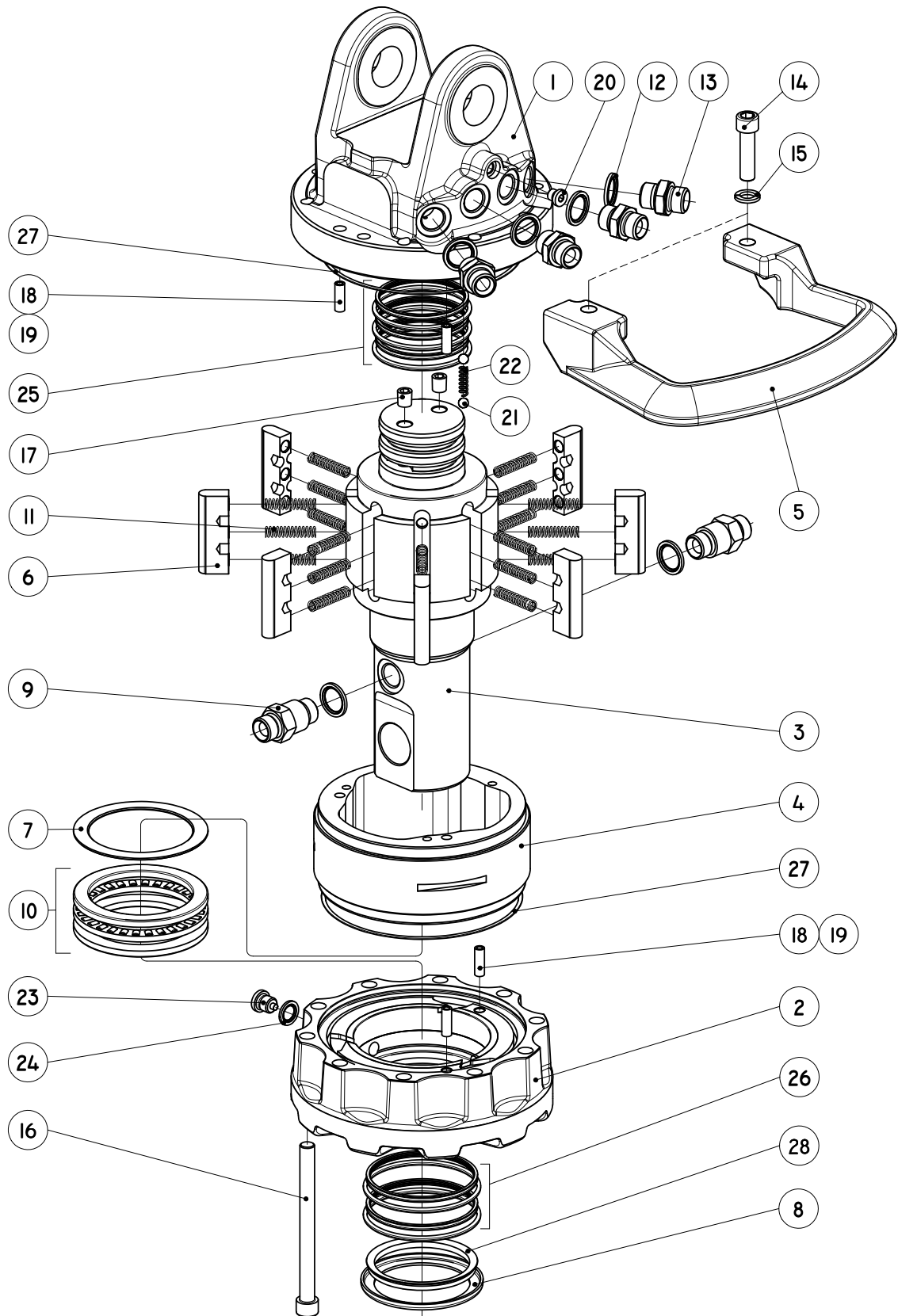
BALTROTORS



SIT RIGHT RKN AB

ROTATOR GR 110-1

List of parts



2005.05.25.

ROTATOR GR 110-1

List of parts

Pos.	Part	Title	Quantity	Notes
1	GR 104.01	Stator plate, upper	1	
2	GR 104.02-01	Stator plate, lower	1	
3	GR 110.006-01	Rotator shaft	1	
4	GR 104.007	Stator frame	1	
5	GR 104.03	Hose guard	1	
6	MTR 104.008	Vane	8	
7	HR 10 S.020	Shim	1	
8	MTR 100.022	Washer	1	
9	MT 0211	Nipple	2	
10	81117	Axial bearing	1	
11	MTR 100.009	Spring	24	
12	GB - 8 Tredo	Bonded seal	6	
13	0101-8	Nipple	4	
14	MC6S 12.9 M12x45	Screw	2	
15	DIN 127 B ø12	Spring washer	2	
16	MC6S 12.9 M12x140	Screw	10	
17	835-04	Tap	2	
18	5x24 DIN-1481	Pin	4	
19	8x24 DIN-1481	Pin	4	
20	VSTI R 1/8 - ED	Plug	1	
21	RB-7	Ball	2	
22	SF-TF (1246)	Spring	1	
23		Magnetic plug	1	
24	GB - 4 Tredo	Bonded seal	1	
25	GHH/R 70/81x4.2	Glide ring	3	
26	GHH/R 85/96x4.2	Glide ring	2	
27	OR 158.42x2.62	O - ring	2	
28	VA - 80	V - seal	1	

2005.05.25.



BALTROTORS



SIT RIGHT RKN AB