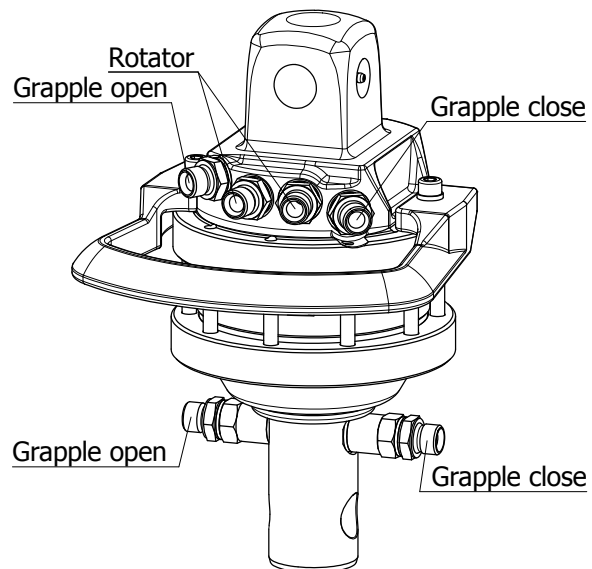
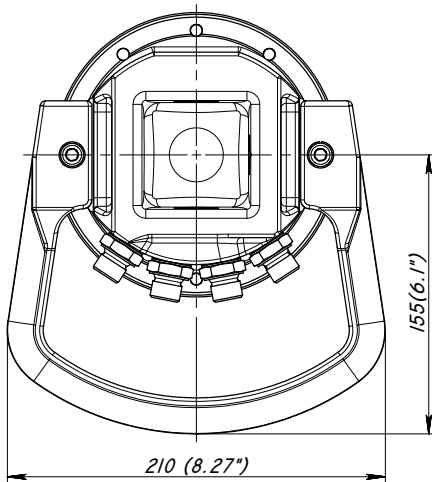
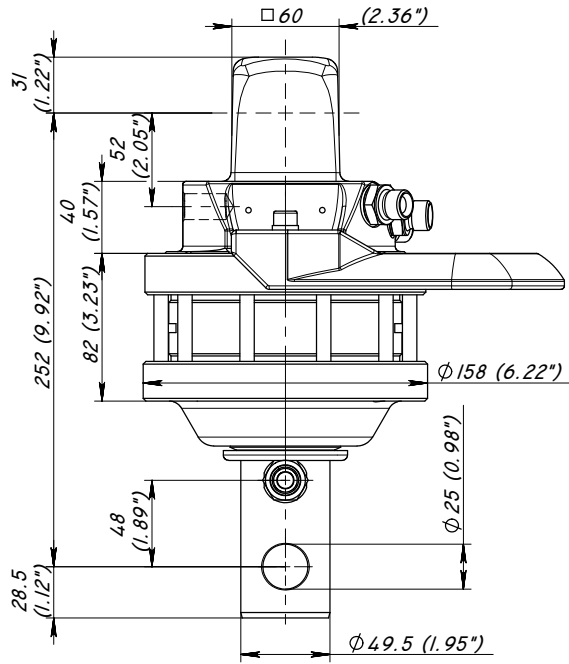
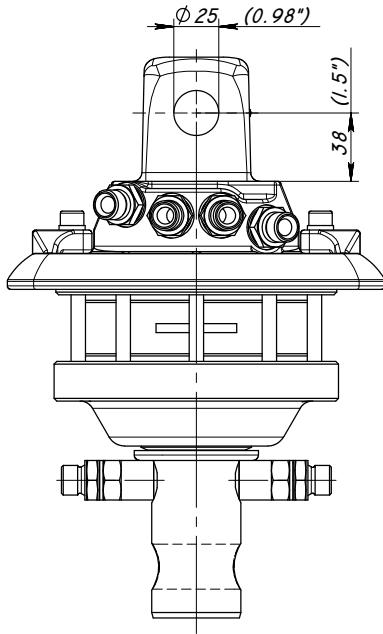


ROTATOR GR 30 Q



Technical data

| | |
|---------------------------------------|-----------|
| Rotation | Unlimited |
| Max axial load static, KN (lbf) | 30 (6745) |
| Max axial load dynamic, KN (lbf) | 15 (3372) |
| Torque at 25Mpa (3625psi), Nm (lb ft) | 720 (531) |
| Rec oilflow, l/min (US gallon) | 20 (5.3) |
| Weight, kg (lb) | 18 (39) |

Max working pressure:

| | | | |
|----------------------|-----|-----------------------|--------|
| Rotator | ↔R↔ | Max 25 MPa (3625 psi) | G 3/8" |
| Grapple / Tool open | ↔G↔ | Max 20 MPa (2900 psi) | G 3/8" |
| Grapple / Tool close | →G← | Max 30 MPa (4350 psi) | G 3/8" |

Connection:

2005.11.24.



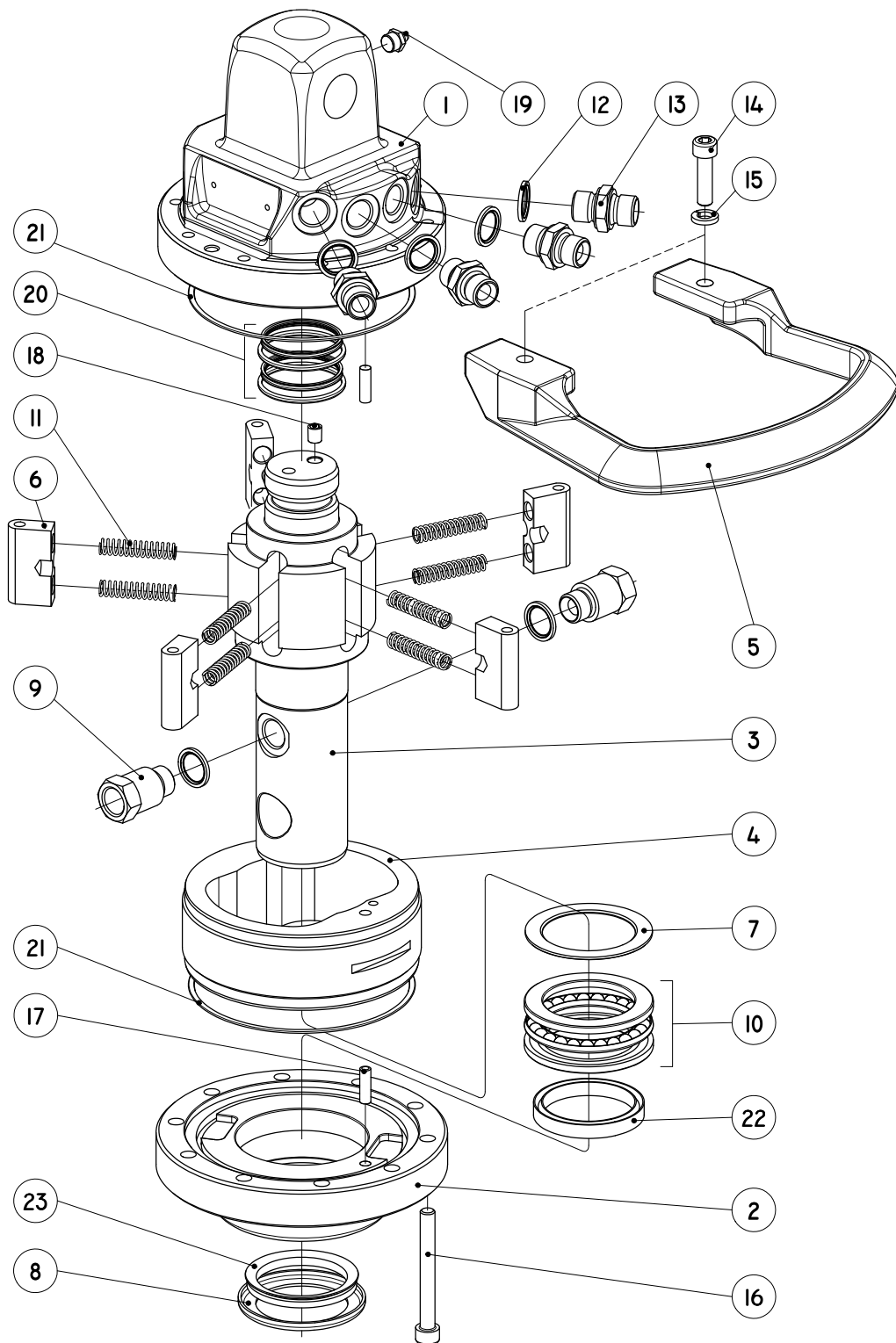
BALTROTORS



SIT RIGHT RKN AB

ROTATOR GR 30 Q

List of parts



2005.11.24.

ROTATOR GR 30 Q

List of parts

| Pos. | Part | Title | Quantity | Notes |
|------|-------------------|---------------------|----------|-------|
| 1 | GR 30 Q.01 | Stator plate, upper | 1 | |
| 2 | MTR 30.02 M | Stator plate, lower | 1 | |
| 3 | MTR 30.005 | Rotator shaft | 1 | |
| 4 | MTR 30.006 | Stator frame | 1 | |
| 5 | MTR 31.03 LA | Hose guard | 1 | |
| 6 | MTR 30.007 M | Vane | 5 | |
| 7 | MTR 30.011 | Shim | 1 | |
| 8 | MTR 30.013 | Washer | 1 | |
| 9 | MT 0205 | Nipple | 2 | |
| 10 | 51110 | Axial bearing | 1 | |
| 11 | MTR 100.009 | Spring | 10 | |
| 12 | GB - 6 Tredo | Bonded seal | 6 | |
| 13 | 0101-6 | Nipple | 4 | |
| 14 | MC6S 12.9 M8x30 | Screw | 2 | |
| 15 | DIN 127 B ø8 | Spring washer | 2 | |
| 16 | MC6S 12.9 M8x70 | Screw | 10 | |
| 17 | 6 m 6x20 | Pin | 2 | |
| 18 | 835-02 | Tap | 1 | |
| 19 | 1.2.C6 | Grease nipple | 1 | |
| 20 | GHH/R 40/47.5x3.2 | Glide ring | 2 | |
| 21 | OR 116.00x2.50 | O - ring | 2 | |
| 22 | TS 50/60x8 | Seal | 1 | |
| 23 | VA - 50 | V - seal | 1 | |

2005.11.24.



BALTROTORS



SIT RIGHT RKN AB