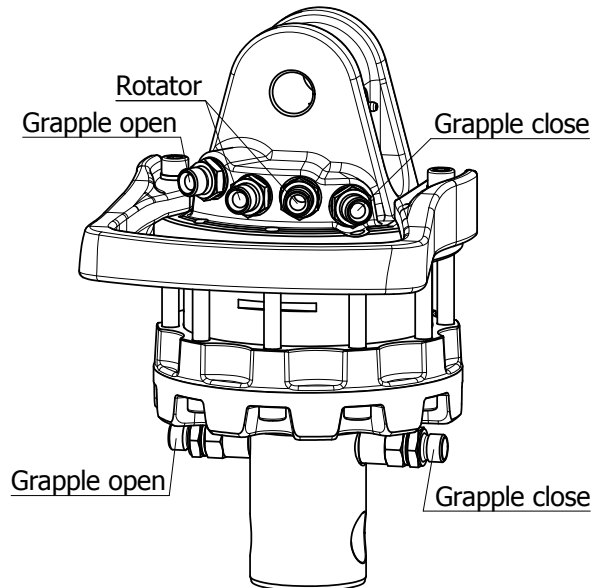
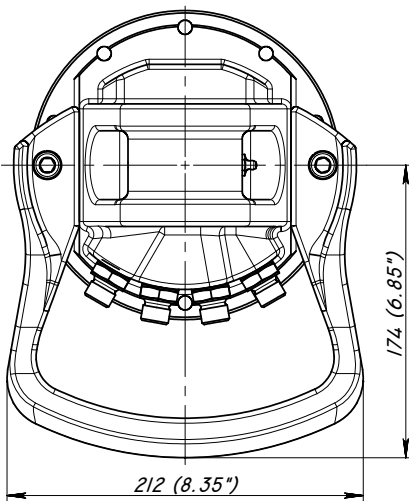
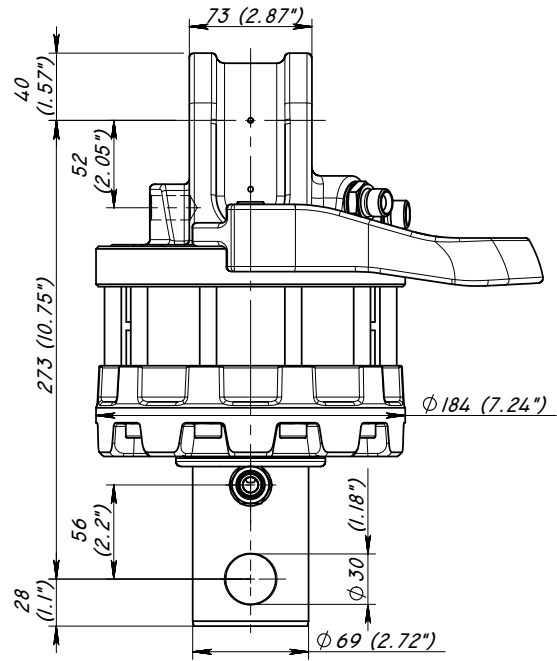
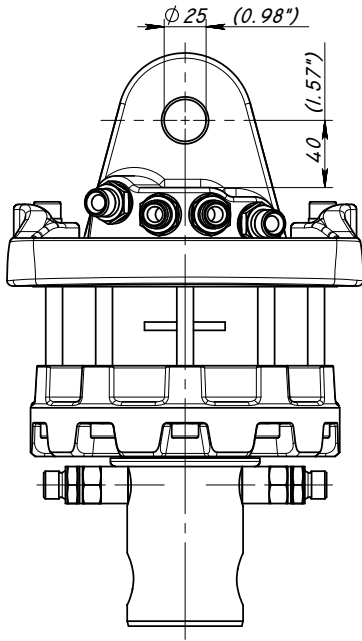


ROTATOR GR 46/69 M



Technical data

Rotation	Unlimited
Max axial load static, KN (lbf)	45 (10118)
Max axial load dynamic, KN (lbf)	25 (5621)
Torque at 25MPa (3625psi), Nm (lb ft)	1100 (811)
Rec oilflow, l/min (US gallon)	22 (5.8)
Weight, kg (lb)	29 (64)

Max working pressure:

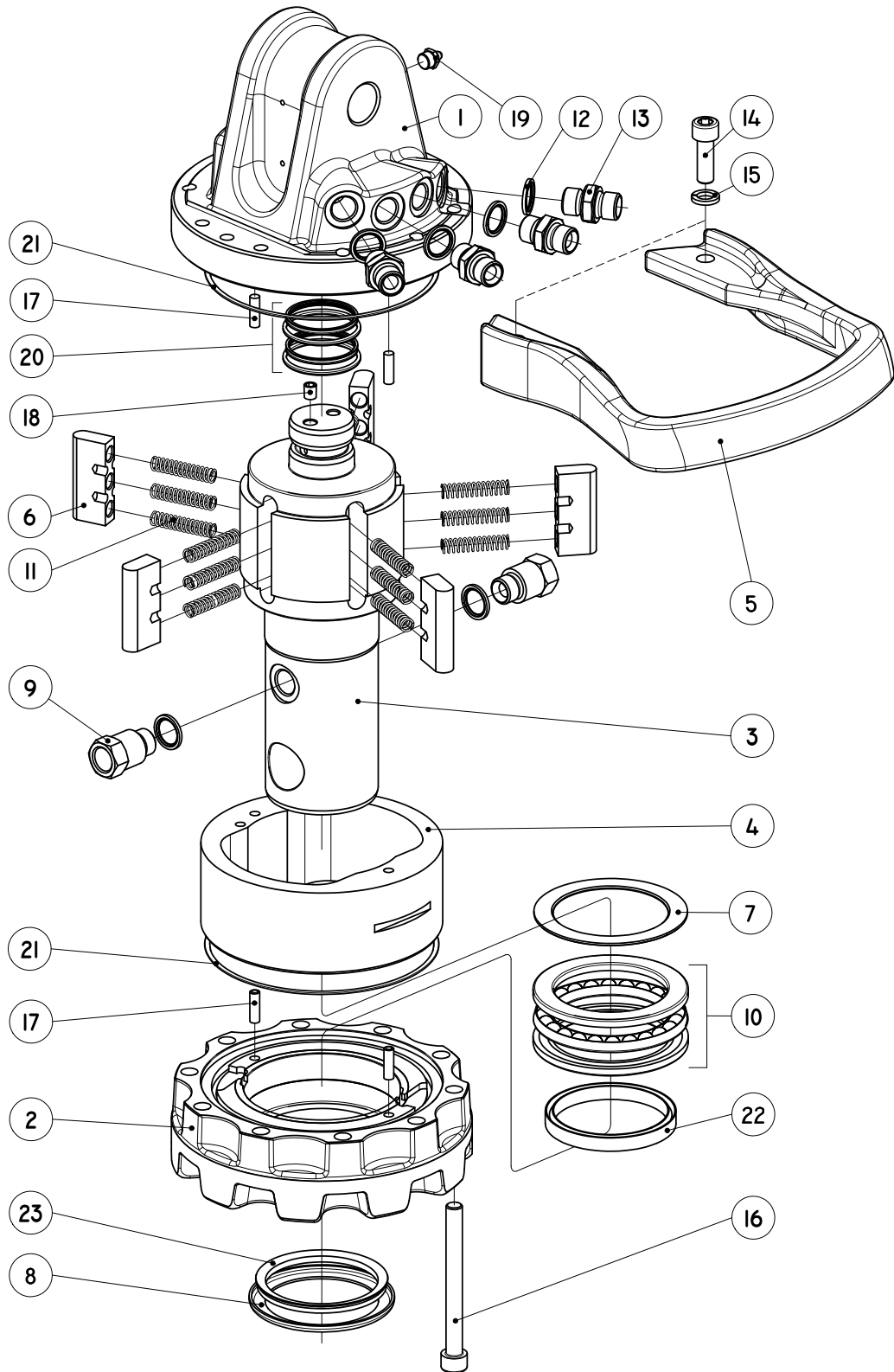
Rotator	↔R↔	Max 25 MPa (3625 psi)
Grapple / Tool open	↔G↔	Max 20 MPa (2900 psi)
Grapple / Tool close	→G←	Max 30 MPa (4350 psi)

Connection:

G 3/8"
G 3/8"
G 3/8"

ROTATOR GR 46/69 M

List of parts



2005.04.15.

ROTATOR GR 46/69 M

List of parts

Pos.	Part	Title	Quantity	Notes
1	GR 46/68 M.01	Stator plate, upper	1	
2	GR 46/68 M.02	Stator plate, lower	1	
3	GR 55 M.006	Rotator shaft	1	
4	GR 46/68 M.007	Stator frame	1	
5	GR 46/68 M.03 LA	Hose guard	1	
6	MTR 46.008	Vane	5	
7	MTR 45.011-01	Shim	1	
8	GR 55 M.010	Washer	1	
9	MT 0205	Nipple	2	
10	51114	Axial bearing	1	
11	MTR 100.009	Spring	15	
12	GB - 6 Tredo	Bonded seal	8	
13	0101-6	Nipple	6	
14	MC6S 12.9 M10x30	Screw	2	
15	DIN 127 B ø10	Spring washer	2	
16	MC6S 12.9 M10x100	Screw	10	
17	6 m 6x20	Pin	4	
18	835-02	Tap	1	
19	1.2.C6	Grease nipple	1	
20	GHH/R 40/47.5x3.2	Glide ring	2	
21	OR 138.00x2.50	O - ring	2	
22	SI/L 70/80x9	Seal	1	
23	VA - 70	V - seal	1	

2005.04.15.



BALTROTORS



SIT RIGHT RKN AB