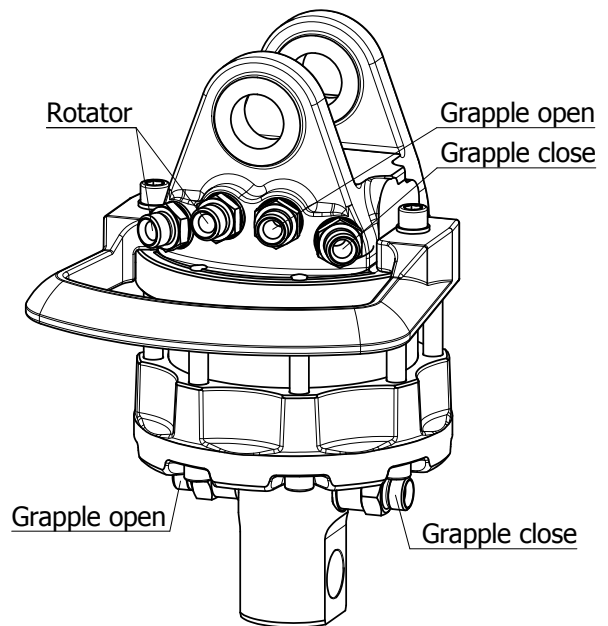
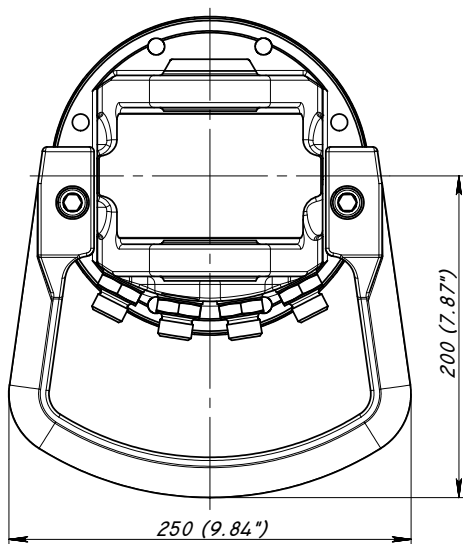
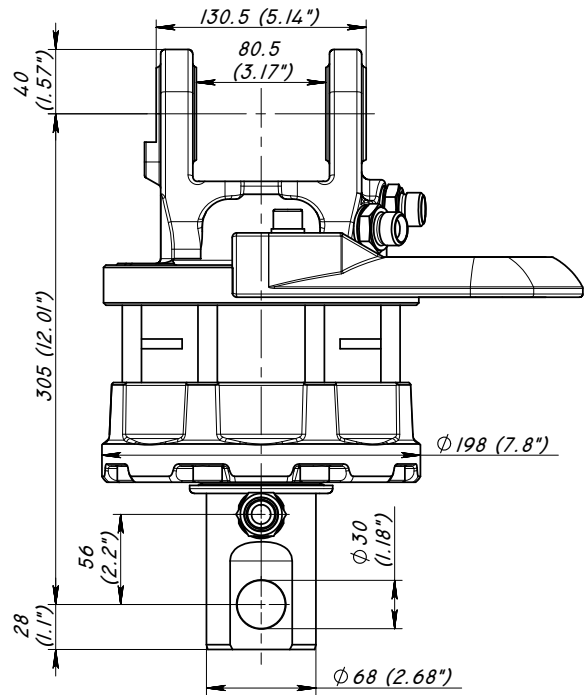
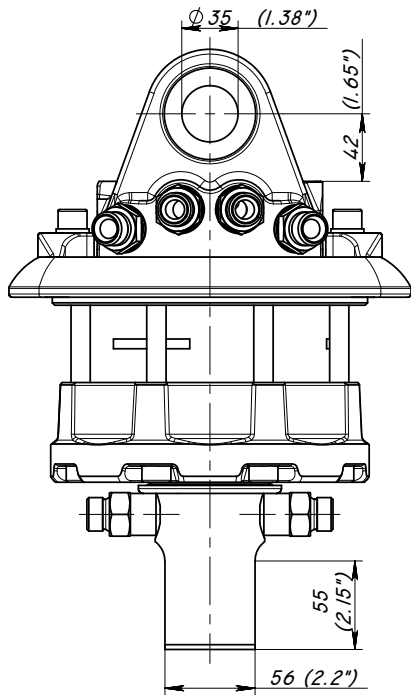


ROTATOR GR 60



Technical data

| | |
|---------------------------------------|-------------|
| Rotation | Unlimited |
| Max axial load static, KN (lbf) | 60 (13491) |
| Max axial load dynamic, KN (lbf) | 30 (6745) |
| Torque at 25Mpa (3625psi), Nm (lb ft) | 1750 (1291) |
| Rec oilflow, l/min (US gallon) | 25 (6.6) |
| Weight, kg (lb) | 36 (79) |

Max working pressure:

| | | |
|----------------------|-----|-----------------------|
| Rotator | ←R→ | Max 25 MPa (3625 psi) |
| Grapple / Tool open | ←G→ | Max 20 MPa (2900 psi) |
| Grapple / Tool close | →G← | Max 30 MPa (4350 psi) |

Connection:

| |
|--------|
| G 1/2" |
| G 1/2" |
| G 1/2" |

2005.03.14.



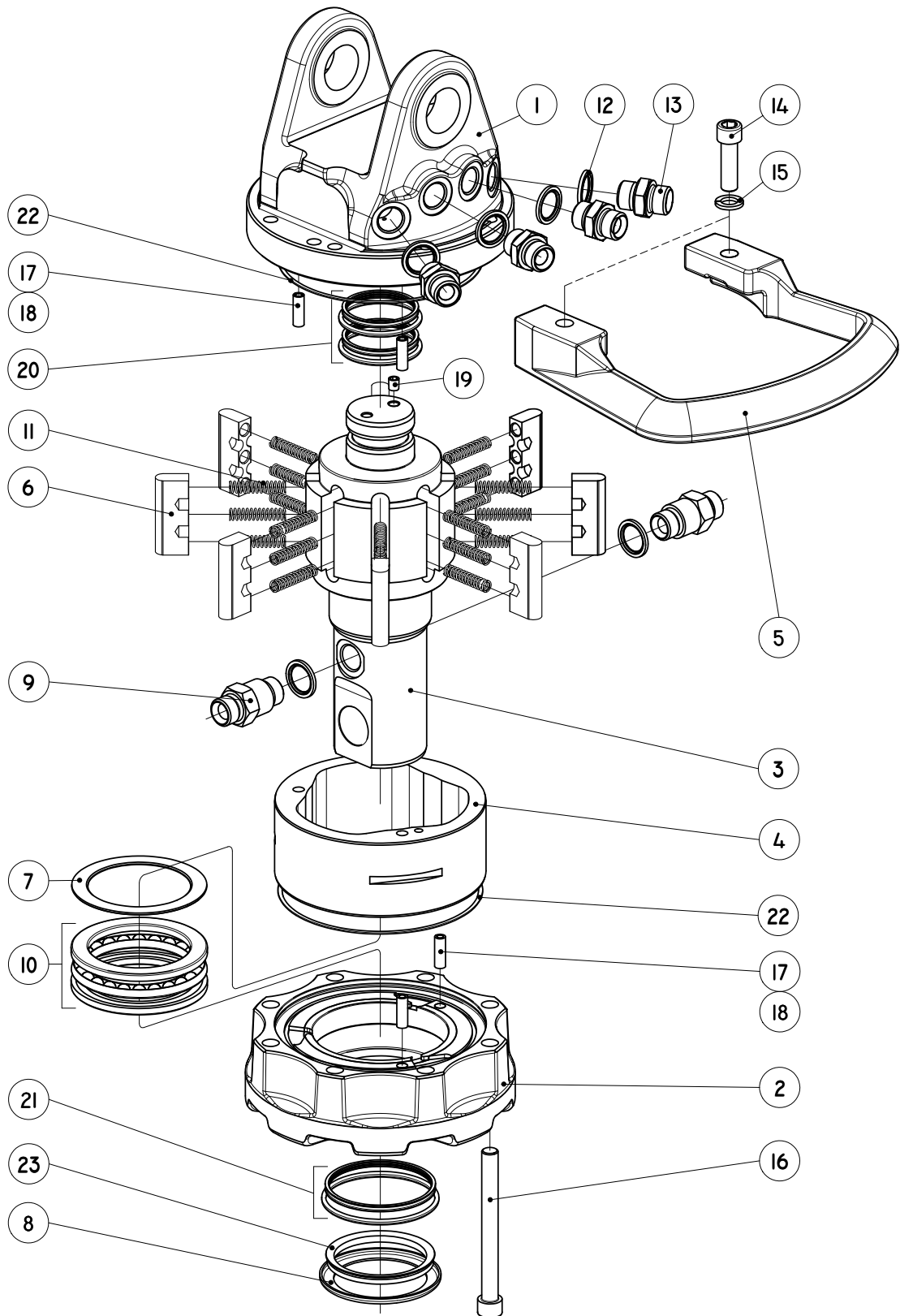
BALTROTORS



SIT RIGHT RKN AB

ROTATOR GR 60

List of parts



2005.03.14.

ROTATOR GR 60

List of parts

| Pos. | Part | Title | Quantity | Notes |
|------|-------------------|---------------------|----------|-------|
| 1 | GR 60.01 | Stator plate, upper | 1 | |
| 2 | GR 60.02-01 | Stator plate, lower | 1 | |
| 3 | GR 60.006-04 | Rotator shaft | 1 | |
| 4 | GR 60.007 | Stator frame | 1 | |
| 5 | GR 60.03 | Hose guard | 1 | |
| 6 | MTR 60.008 | Vane | 8 | |
| 7 | GR 60.011 | Shim | 1 | |
| 8 | MTR 45.010-01 | Washer | 1 | |
| 9 | MT 0211 | Nipple | 2 | |
| 10 | 51115 | Axial bearing | 1 | |
| 11 | MTR 100.009 | Spring | 24 | |
| 12 | GB - 8 Tredo | Bonded seal | 6 | |
| 13 | 0101-8 | Nipple | 4 | |
| 14 | MC6S 12.9 M12x40 | Screw | 2 | |
| 15 | DIN 127 B ø12 | Spring washer | 2 | |
| 16 | MC6S 12.9 M12x120 | Screw | 8 | |
| 17 | 5x24 DIN-1481 | Pin | 4 | |
| 18 | 8x24 DIN-1481 | Pin | 4 | |
| 19 | 835-02 | Tap | 1 | |
| 20 | GHH/R 50/61x4.2 | Glide ring | 2 | |
| 21 | GHH/R 75/86x4.2 | Glide ring | 1 | |
| 22 | OR 145.00x2.50 | O - ring | 2 | |
| 23 | VA - 70 | V - seal | 1 | |

2005.03.14.



BALTROTORS



SIT RIGHT RKN AB