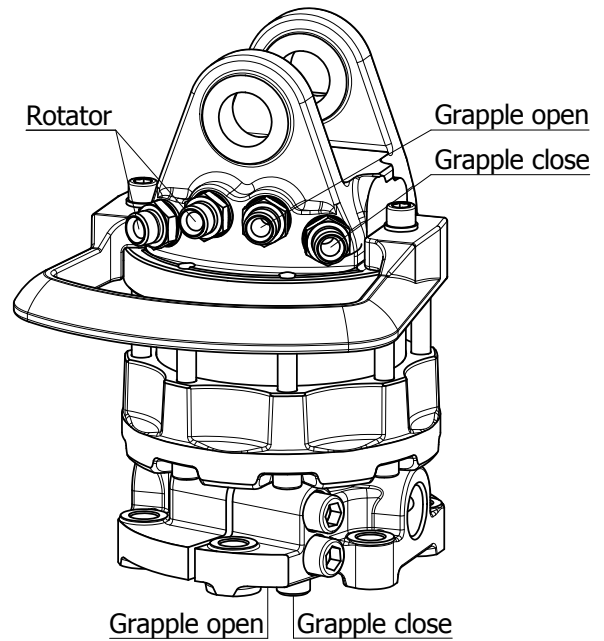
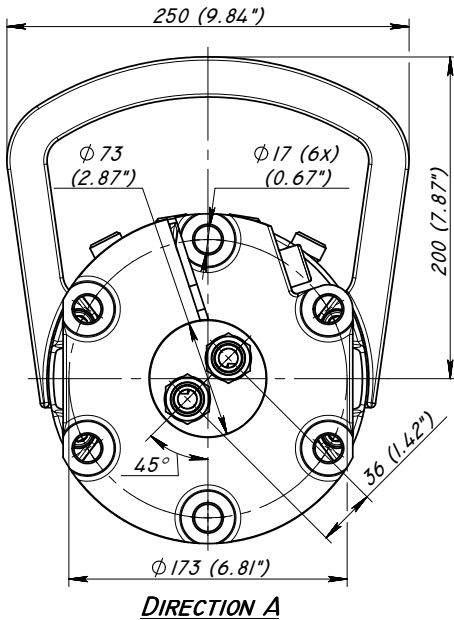
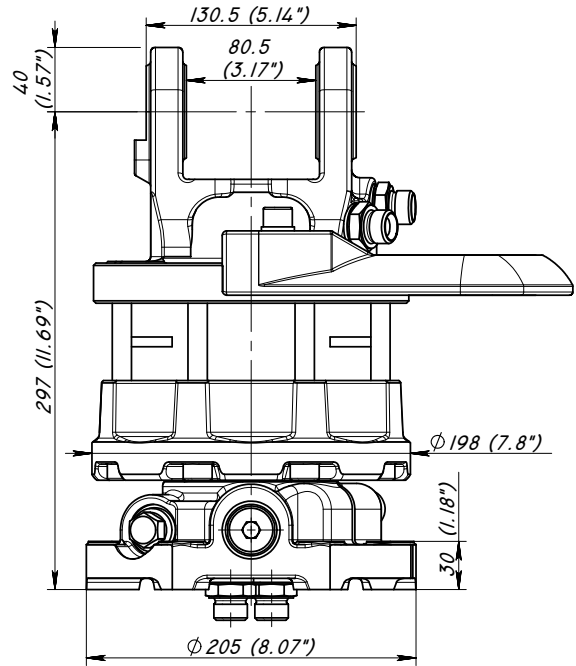
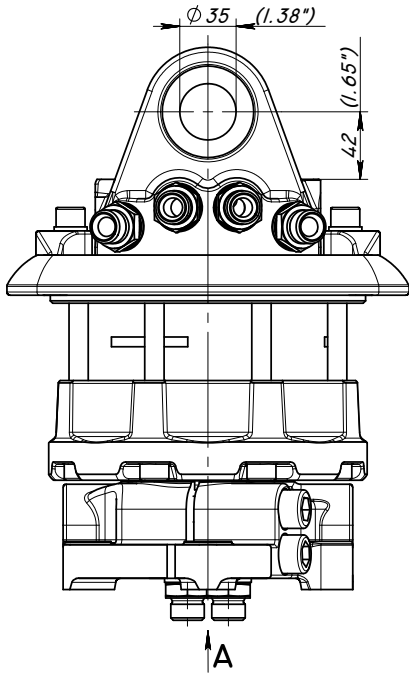


# ROTATOR GR 603 DB



## Technical data

|                                       |             |
|---------------------------------------|-------------|
| Rotation                              | Unlimited   |
| Max axial load static, KN (lbf)       | +60 (13491) |
|                                       | -50 (11242) |
| Max axial load dynamic, KN (lbf)      | +30 (6745)  |
|                                       | -25 (5621)  |
| Torque at 25Mpa (3625psi), Nm (lb ft) | 1750 (1291) |
| Rec oilflow, l/min (US gallon)        | 25 (6.6)    |
| Weight, kg (lb)                       | 43 (95)     |

### Max working pressure:

|                      |     |                       |
|----------------------|-----|-----------------------|
| Rotator              | ←R→ | Max 25 MPa (3625 psi) |
| Grapple / Tool open  | ←G→ | Max 20 MPa (2900 psi) |
| Grapple / Tool close | →G← | Max 30 MPa (4350 psi) |

### Connection:

|        |
|--------|
| G 1/2" |
| G 1/2" |
| G 1/2" |

2005.05.23.



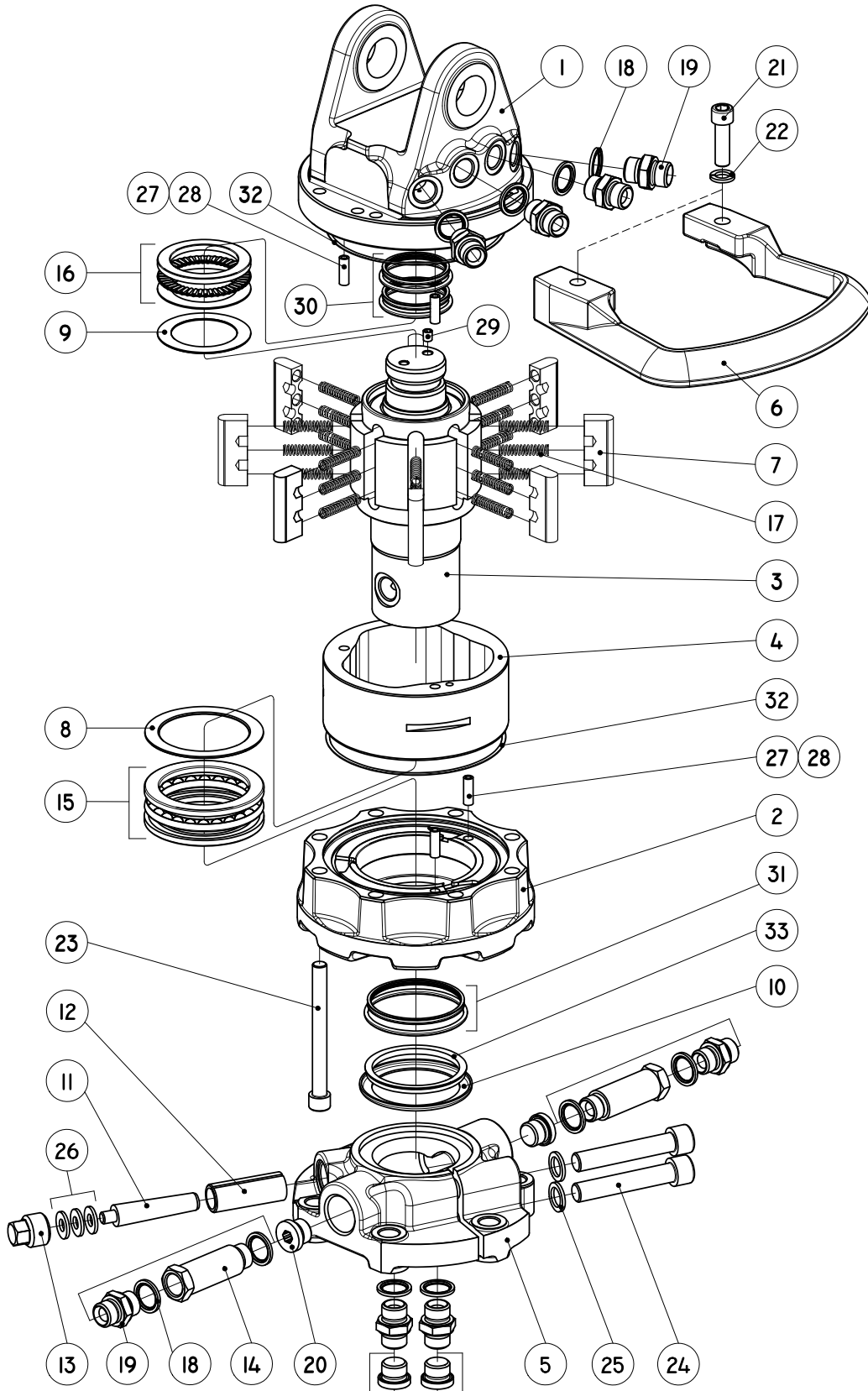
**BALTROTORS**



SIT RIGHT RKN AB

# ROTATOR GR 603 DB

## List of parts



2005.05.23.



**BALTROTORS**



SIT RIGHT RKN AB

# ROTATOR GR 603 DB

## List of parts

| Pos. | Part              | Title                | Quantity | Notes |
|------|-------------------|----------------------|----------|-------|
| 1    | GR 60 DB.01       | Stator plate, upper  | 1        |       |
| 2    | GR 60.02-01       | Stator plate, lower  | 1        |       |
| 3    | GR 603 DB.006     | Rotator shaft        | 1        |       |
| 4    | GR 60.007         | Stator frame         | 1        |       |
| 5    | GR 603.014-01     | Link, lower          | 1        |       |
| 6    | GR 60.03          | Hose guard           | 1        |       |
| 7    | MTR 60.008        | Vane                 | 8        |       |
| 8    | GR 60.011         | Shim                 | 1        |       |
| 9    | GR 60 DB.011      | Shim                 | 1        |       |
| 10   | GR 60.021         | Washer               | 1        |       |
| 11   | GR 16.011-01      | Wedge                | 1        |       |
| 12   | GR 16.012-01      | Bung                 | 1        |       |
| 13   | MTR 100.013-01    | Locking screw        | 1        |       |
| 14   | MT 0220           | Nipple               | 2        |       |
| 15   | 51115             | Axial bearing        | 1        |       |
| 16   | AXK 5578          | Axial needle bearing | 1        |       |
| 17   | MTR 100.009       | Spring               | 24       |       |
| 18   | GB - 8 Tredo      | Bonded seal          | 8        |       |
| 19   | 0101-8            | Nipple               | 6        |       |
| 20   | VSTI R1/2 - ED    | Plug                 | 2        |       |
| 21   | MC6S 12.9 M12x40  | Screw                | 2        |       |
| 22   | DIN 127 B ø12     | Spring washer        | 2        |       |
| 23   | MC6S 12.9 M12x120 | Screw                | 8        |       |
| 24   | MC6S 12.9 M16x90  | Screw                | 2        |       |
| 25   | ø16 Schnorr       | Washer               | 2        |       |
| 26   | SB - M10 (4673)   | Cup spring           | 3        |       |
| 27   | 5x24 DIN-1481     | Pin                  | 4        |       |
| 28   | 8x24 DIN-1481     | Pin                  | 4        |       |
| 29   | 835-02            | Tap                  | 1        |       |
| 30   | GHH/R 50/61x4.2   | Glide ring           | 2        |       |
| 31   | GHH/R 75/86x4.2   | Glide ring           | 1        |       |
| 32   | OR 145.00x2.50    | O - ring             | 2        |       |
| 33   | VA - 70           | V - seal             | 1        |       |

2005.05.23.



**BALTROTORS**



SIT RIGHT RKN AB