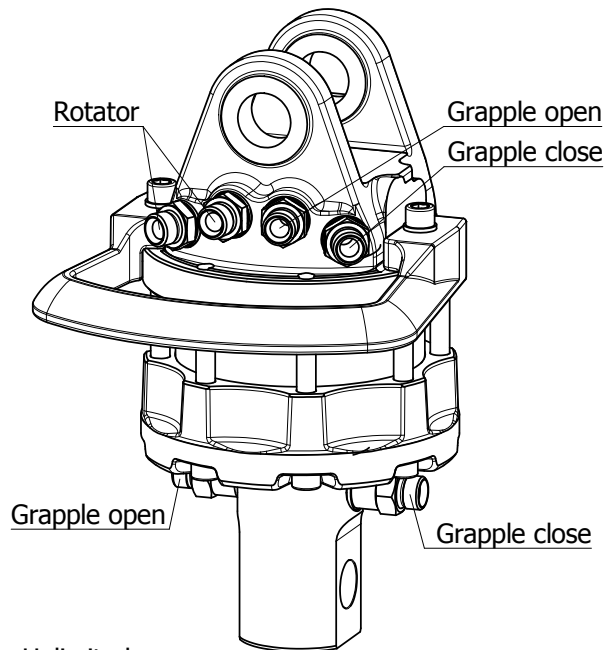
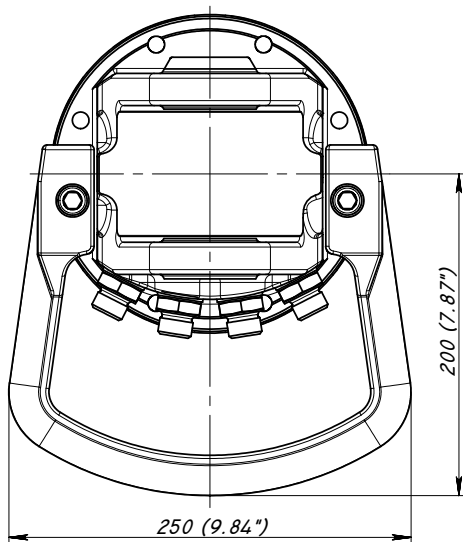
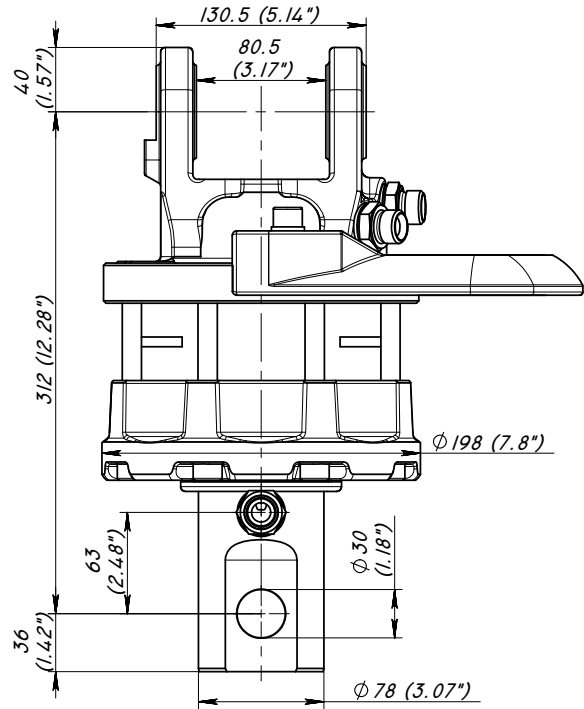
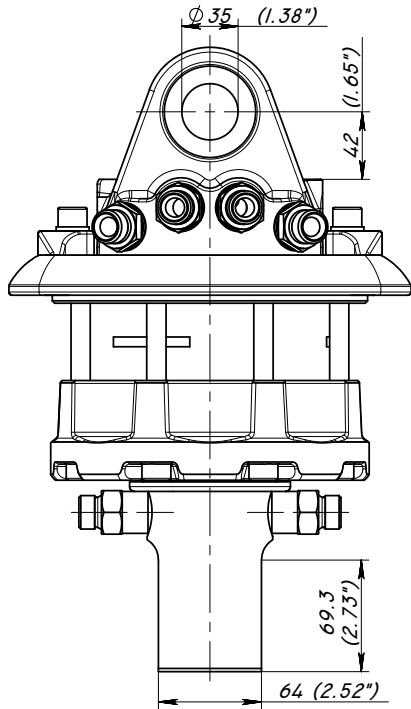


# ROTATOR GR 60/78



## Technical data

Rotation	Unlimited
Max axial load static, KN (lbf)	60 (13491)
Max axial load dynamic, KN (lbf)	30 (6745)
Torque at 25Mpa (3625psi), Nm (lb ft)	1750 (1291)
Rec oilflow, l/min (US gallon)	25 (6.6)
Weight, kg (lb)	38 (84)

### Max working pressure:

Rotator	←R→	Max 25 MPa (3625 psi)
Grapple / Tool open	←G→	Max 20 MPa (2900 psi)
Grapple / Tool close	→G←	Max 30 MPa (4350 psi)

### Connection:

G 1/2"
G 1/2"
G 1/2"

2005.03.02.



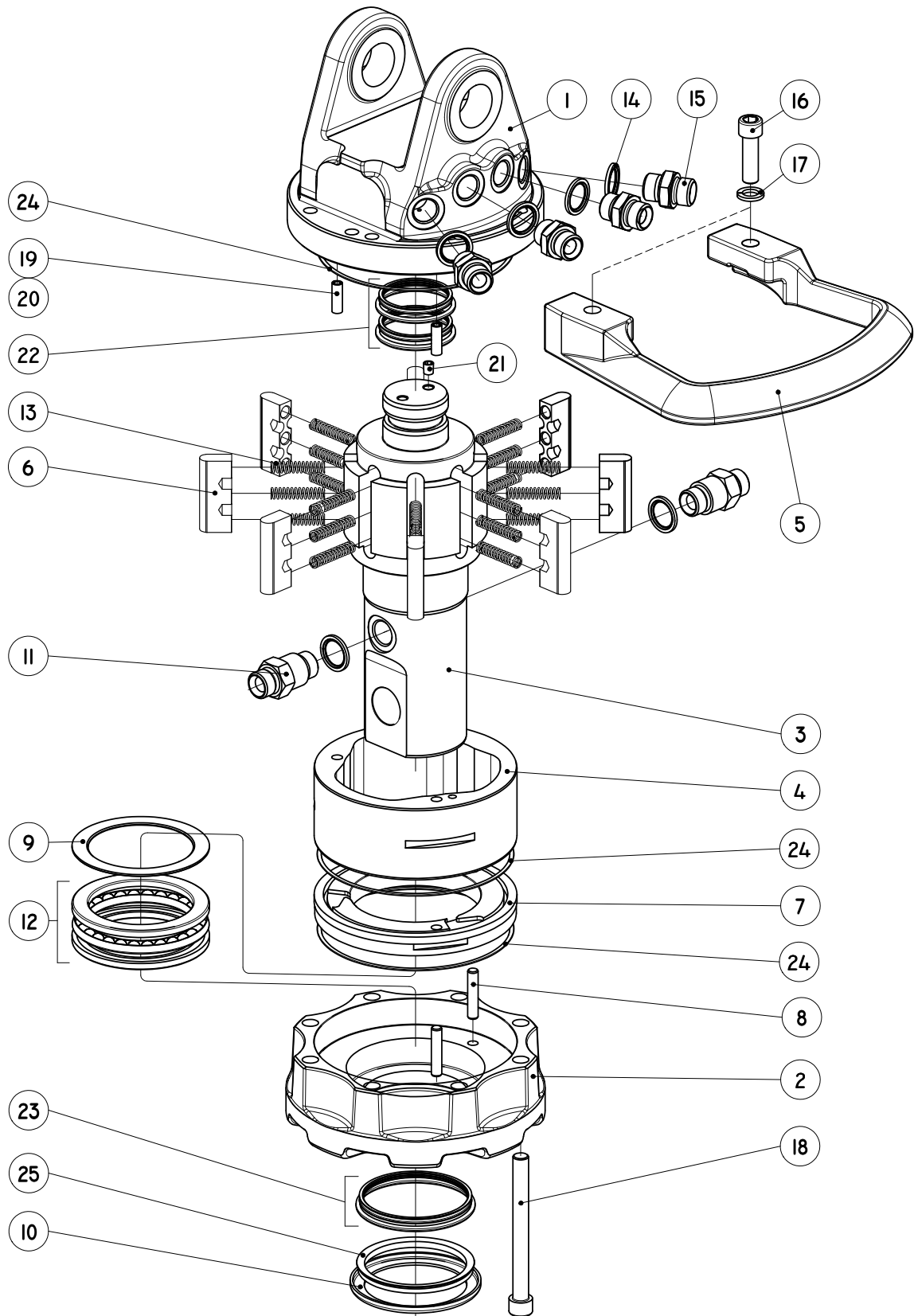
**BALTROTORS**



SIT RIGHT RKN AB

# ROTATOR GR 60/78

## List of parts



2005.03.02.

# ROTATOR GR 60/78

## List of parts

Pos.	Part	Title	Quantity	Notes
1	GR 60.01	Stator plate, upper	1	
2	GR 60/78.02	Stator plate, lower	1	
3	GR 60.006-03	Rotator shaft	1	
4	GR 60.007	Stator frame	1	
5	GR 60.03	Hose guard	1	
6	MTR 60.008	Vane	8	
7	GR 60.005	Distance plate	1	
8	GR 60.009-01	Pin	2	
9	MTR 104.020	Shim	1	
10	MTR 100.022	Washer	1	
11	MT 0211	Nipple	2	
12	51116	Axial bearing	1	
13	MTR 100.009	Spring	24	
14	GB - 8 Tredo	Bonded seal	6	
15	0101-8	Nipple	4	
16	MC6S 12.9 M12x40	Screw	2	
17	DIN 127 B ø12	Spring washer	2	
18	MC6S 12.9 M12x120	Screw	8	
19	5x24 DIN-1481	Pin	2	
20	8x24 DIN-1481	Pin	2	
21	835-02	Tap	1	
22	GHH/R 50/61x4.2	Glide ring	2	
23	GHH/R 80/91x4.2	Glide ring	1	
24	OR 145.00x2.50	O - ring	3	
25	VA - 80	V - seal	1	

2005.03.02.



**BALTROTORS**



SIT RIGHT RKN AB