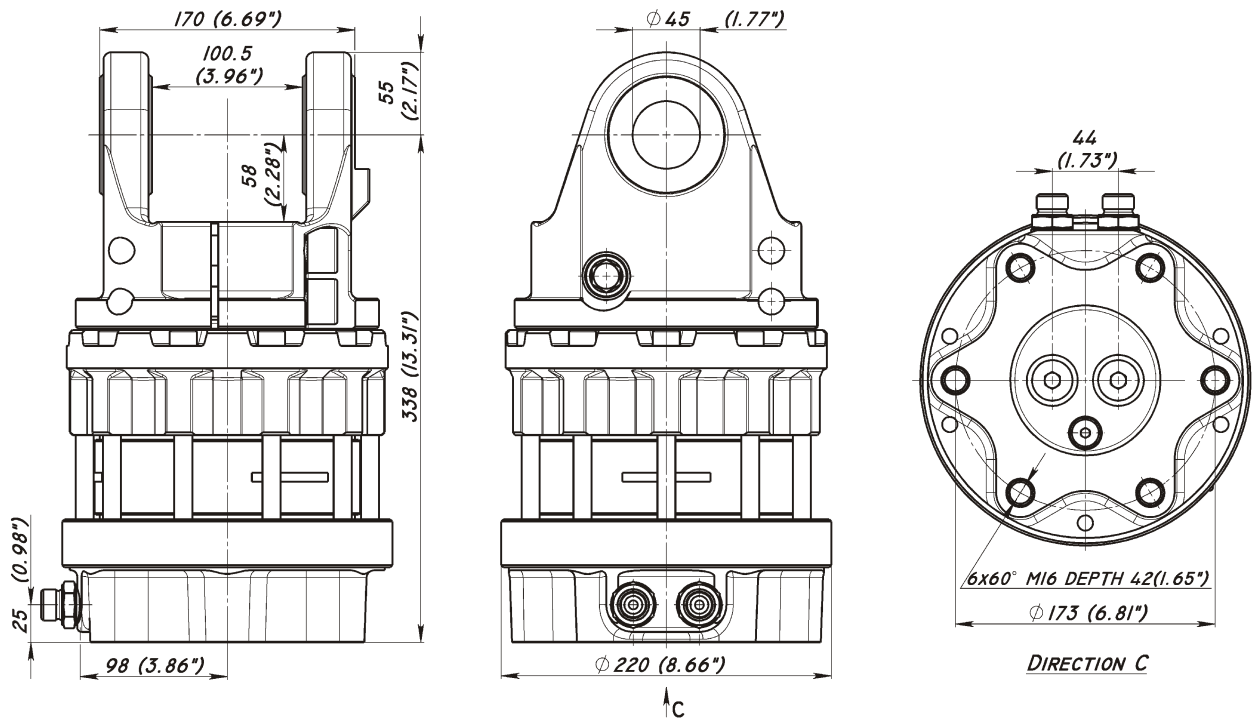


ROTATOR HR 10 SM

Specially designed for the Harvester heads



Technical data

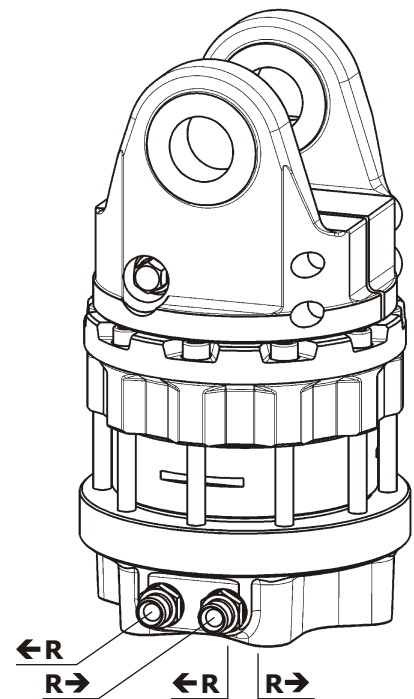
Rotation	Unlimited
Max axial load static, KN (lbf)	+100 (22485) -90 (20236)
Max axial load dynamic, KN (lbf)	+50 (11242) -45 (10118)
Torque at 25Mpa (3625psi), Nm (lb ft)	2400 (1770)
Rec oilflow, l/min (US gallon)	30 (7.9)
Weight, kg (lb)	63 (138)

Max working pressure:

Rotator $\leftarrow R \rightarrow$ Max 25 MPa (3625 psi)

Connection:

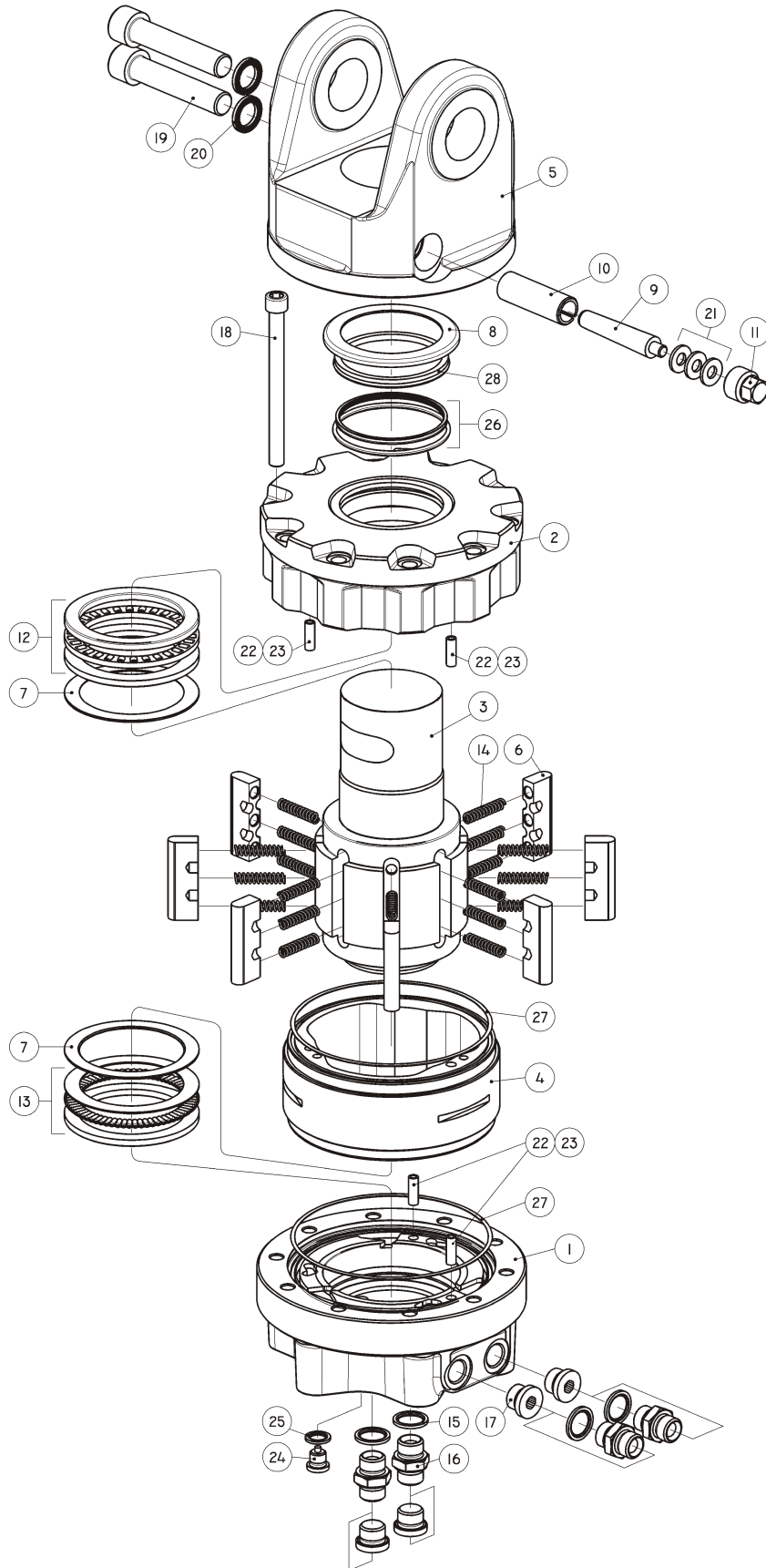
G 1/2"



2005.10.19

ROTATOR HR 10 SM

List of parts



2005.10.19



BALTROTORS



SIT RIGHT RKN AB

ROTATOR HR 10 SM

List of parts

Nr.	Part	Title	Quantity	Notes
1	HR 10 S.01	Stator plate, lower	1	
2	HR 10 S.02	Cover	1	
3	HR 10 S.006	Rotator shaft	1	
4	GR 104.007	Stator frame	1	
5	HR 10 S.005	Connector	1	
6	MTR 104.008	Vane	8	
7	HR 10 S.020	Shim	2	
8	HR 10 S.021	Washer	1	
9	GR 16.011	Wedge	1	
10	GR 16.012	Bung	1	
11	MTR 100.013-01	Locking screw	1	
12	81117	Axial roller bearing	1	
13	AXK 85110	Axial needle bearing	1	
14	MTR 100.009	Spring	24	
15	GB - 8 Tredo	Bonded seal	2	
16	0101-8	Nipple	2	
17	VSTI R1/2 - ED	Plug	2	
18	MC6S 12.9 M12x140	Screw	10	
19	MC6S 12.9 M20x100	Screw	2	
20	NL 20	Washer	2	
21	SB - M10 (4673)	Cup spring	3	
22	5x24 DIN-1481	Pin	4	
23	8x24 DIN-1481	Pin	4	
24		Magnetic plug	1	
25	GB-4 Tredo	Bonded seal	1	
26	GHH/R 85/96x4.2	Glide ring	2	
27	OR 158.42x2.62	O - ring	2	
28	VR06 - 83 PU	V - seal	1	

2005.10.19



BALTROTORS



SIT RIGHT RKN AB