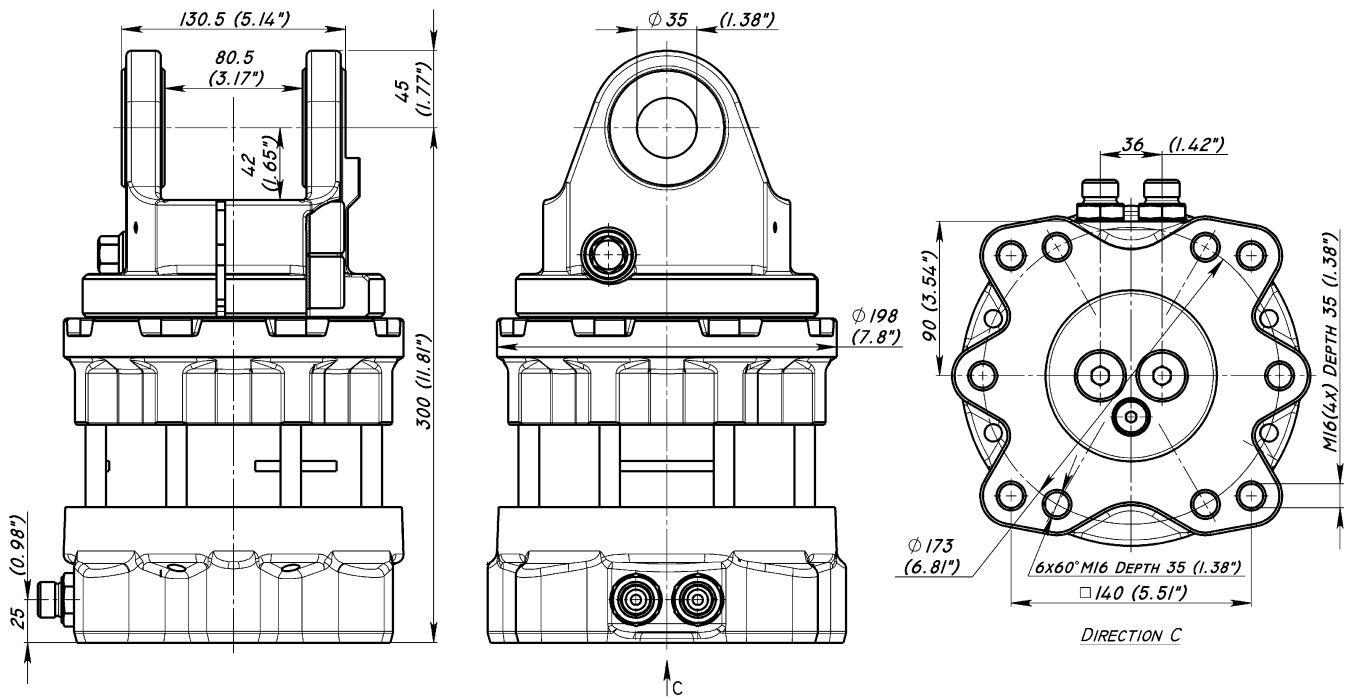


ROTATOR HR 6

Specially designed for the Harvester heads



Technical data

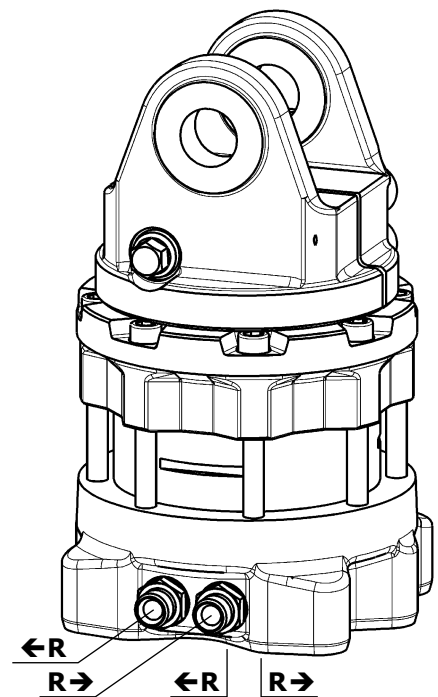
Rotation	Unlimited
Max axial load static, KN (lbf)	+60 (13491) -45 (10118)
Max axial load dynamic, KN (lbf)	+30 (6745) -25 (5621)
Torque at 25Mpa (3625psi), Nm (lb ft)	1750 (1291)
Rec oilflow, l/min (US gallon)	25 (6.6)
Weight, kg (lb)	46 (101)

Max working pressure:

Rotator $\leftarrow R \rightarrow$ Max 25 MPa (3625 psi)

Connection:

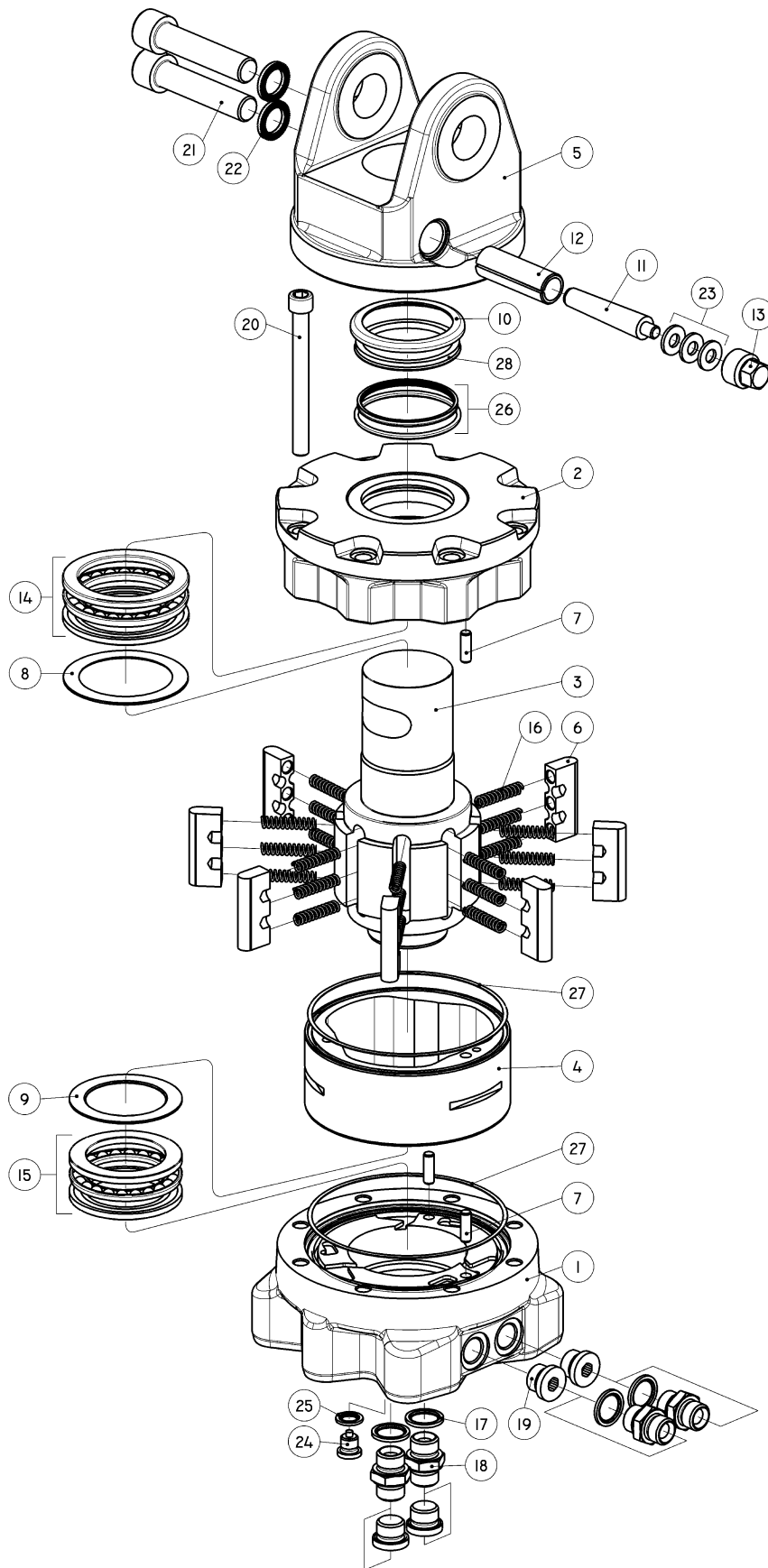
G 1/2"



2005.01.06

ROTATOR HR 6

List of parts



2005.01.06



BALTROTORS



SIT RIGHT RKN AB

ROTATOR HR 6

List of parts

Nr.	Part	Title	Quantity	Notes
1	HR 6.01	Stator plate, lower	1	
2	GR 60.02	Cover	1	
3	HR 6.006	Rotator shaft	1	
4	GR 60.007	Stator frame	1	
5	HR 6.005	Connector	1	
6	MTR 60.008	Vane	8	
7	5x24 DIN-1481	Pin	3	
	8x24 DIN-1481	Pin	3	
8	MTR 45.011-01	Shim	1	
9	MTR 45.011	Shim	1	
10	MTR 45.010-01	Washer	1	
11	GR 16.011	Wedge	1	
12	GR 16.012	Bung	1	
13	MTR 100.013-01	Locking screw	1	
14	51114	Axial bearing	1	
15	51112	Axial bearing	1	
16	MTR 100.009	Spring	24	
17	GB - 8 Tredo	Bonded seal	2	
18	0101-8	Nipple	2	
19	VSTI R1/2 - ED	Plug	2	
20	MC6S 12.9 M12x120	Screw	8	
21	MC6S 12.9 M20x100	Screw	2	
22	NL 20	Washer	2	
23	SB - M10 (4673)	Cup spring	3	
24		Magnetic plug	1	
25	GB-4 Tredo	Bonded seal	1	
26	GHH/R 70/81x4.2	Glide ring	1	
27	OR 145.00x2.50	O - ring	2	
28	VR06 - 68 PU	V - seal	1	

2005.01.06



BALTROTORS



SIT RIGHT RKN AB